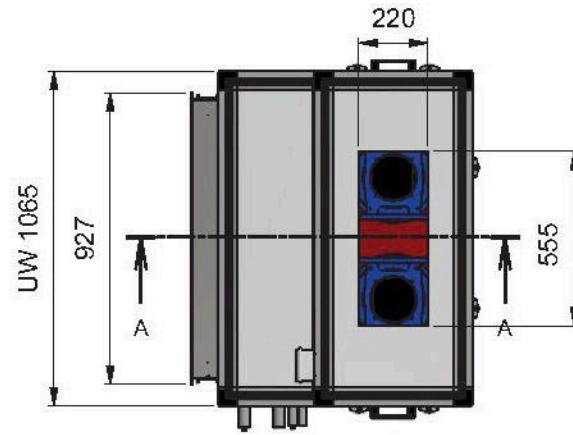
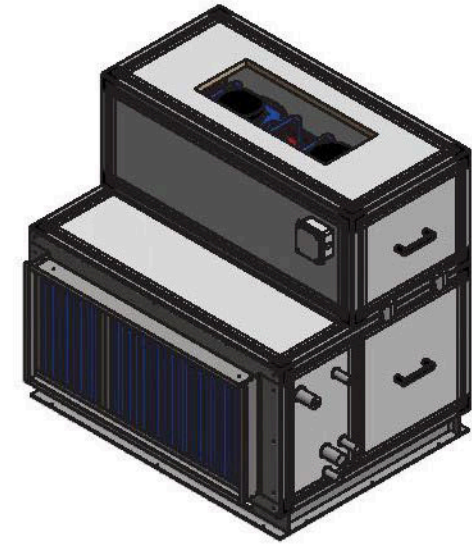
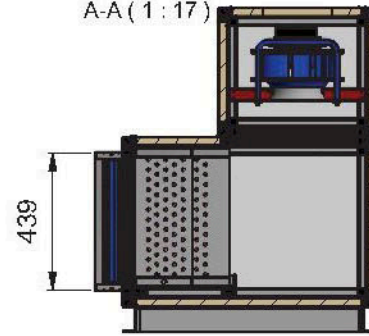


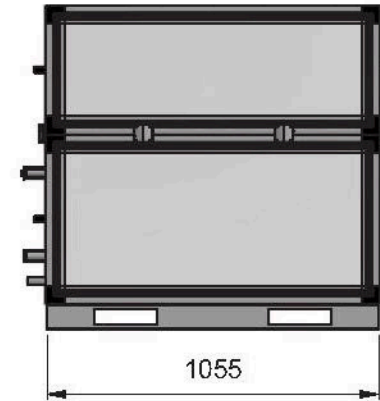
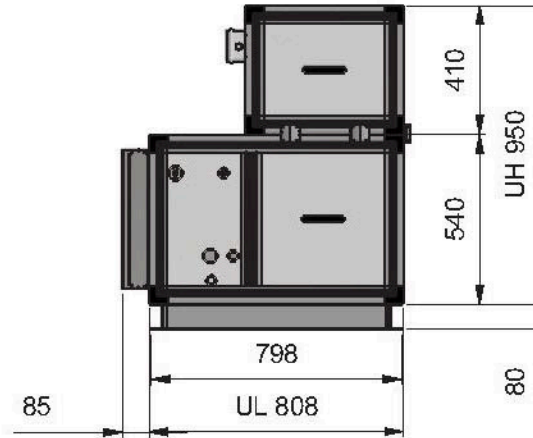
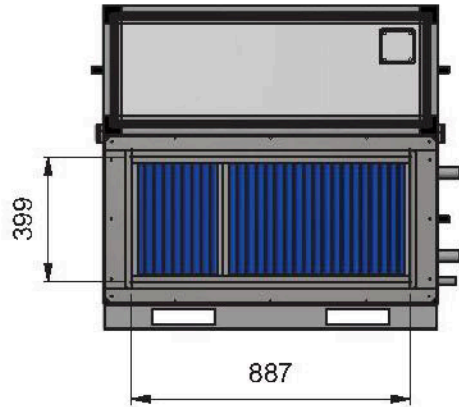
View ISO 1(1:16)



A-A (1:17)



View ISO 2(1:16)



MAX S/A (HORIZONTAL) : 220X555mm

UNLESS OTHERWISE SPECIFIED
DIMENSIONS ARE IN MILLIMETRES
BLOW AND OBLIQUE SHAPES
3rd ANGLE
PROJECTION
DO NOT SCALE DRAWING

Rev	By	Date	Description
X00	Leon	4/19/2017	Initial Released

Fantech Pty Ltd. © A.C.N. 095 434 024 45 NESTOR DRIVE MEACOWBROOK QUEENSLAND AUSTRALIA 4131 TELEPHONE (07) 32 999 988 FACSIMILE (07) 32 999 800				
DRAWN: Leon CHECKED: Sean APPRD: JT	DATE: 2017/7/22 DATE: - DATE: -		General Layout, Cabinet, ML1B-V203-DA-FCO GR25C(Y73721)X2 SLIMthem SLV 0490	
DRAWING NO: 869-3003-0203		REV: /00	SCALE: 1:17	SIZE: A3